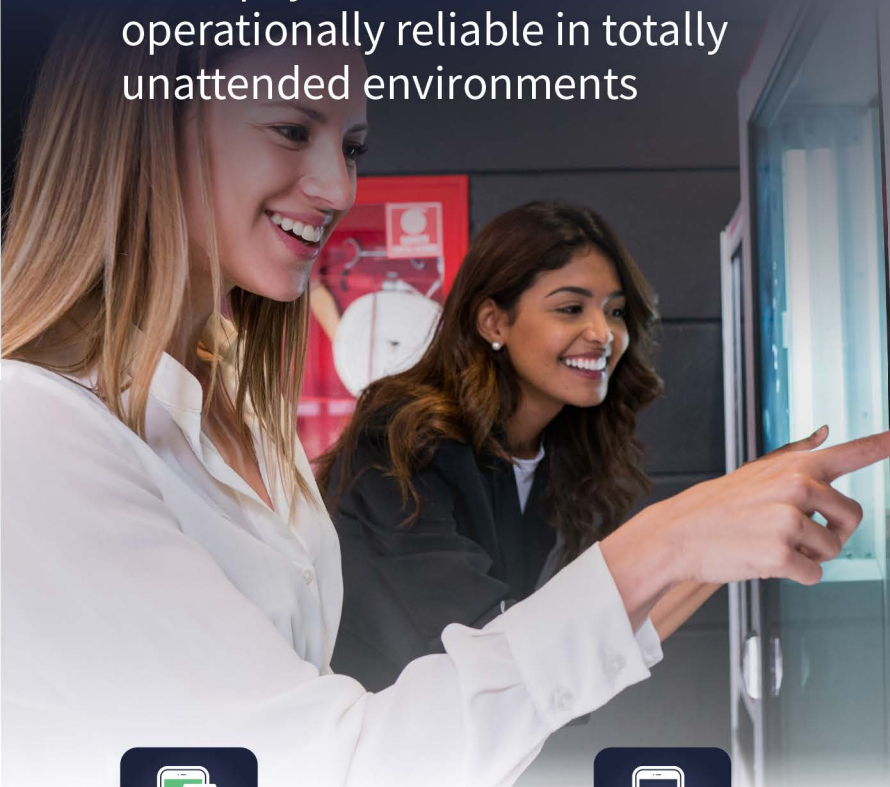


Versatile and smart solution

S1 All in one **Self-Service Payment Terminal**

Complied with EVA standard with a durable and long-lasting case, SPECTRA's S1 self-service payment terminal offers a robust set of payment features and is operationally reliable in totally unattended environments



tap-on-screen



Chip & PIN



NFC Contactless



Android OS 12



Sturdy



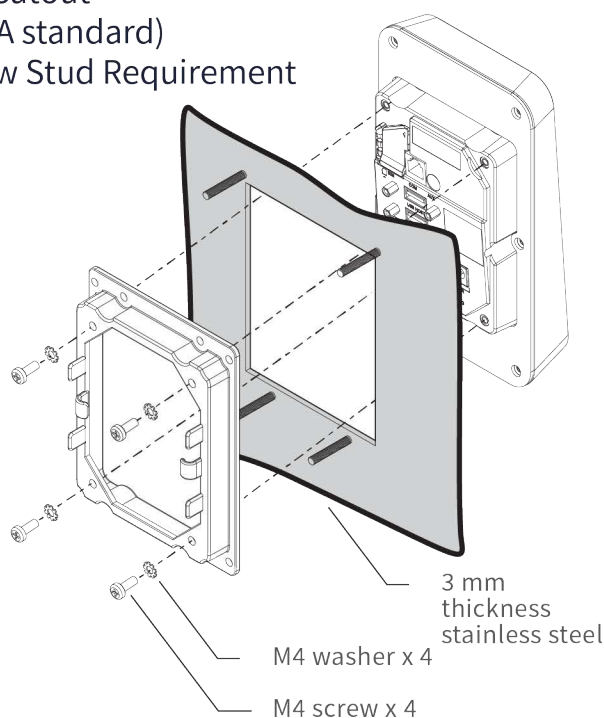
5.5" 720 x 1440 IPS capacitive multi-touch display

Specifications of S1 Self-Service Payment Terminal

Processor	MediaTek MT8766 Quad-core A53@ 2.0GHz Secure processor
Operating system	Android 12
Memory	1GB RAM+8GB Flash; 2GB RAM+16GB Flash (optional)
Display	5.5" 720x1440 IPS capacitive multi-touch
Camera	0.3M FF front camera
NFC	ISO14443 A/B and FeliCa, front-top LCD side
ICC	Smart Card complies with ISO7816
Ports	MDB slave, RS232 in RJ11
USB port	USB Host type-A x 1
Sensor	Proximity sensor near front camera
SIM	Nano SIM x 2
SAM	SAM slot x 1
Power	12-48V via MDB port, 9-18V via DC Jack
Connectivity	4G-LTE/3G/2G, dual band WiFi 802.11 b/g/n/ac, Bluetooth 5.0, 100Mbps Ethernet
Operation temperature	0°C - 50°C
Storage temperature	-25°C - 70°C
Dimension & weight	170(L) X 105(W) X 41(D) mm, 527g
Installation cutout	106(L) X 82(W)mm

*Specifications is subject to change without prior notice.

Panel Cutout (for EVA standard) & Screw Stud Requirement



Certification of S1 Self-Service Payment Terminal

